

# AXIS P32 Network Camera Series – Outdoor models

Simply attractive.



- > HDTV 720p/1080p video quality
- > Day/night functionality
- > Remote zoom and focus
- > P-Iris control
- > IK10 vandal resistance
- > Edge storage

AXIS P32 Network Cameras are streamlined, versatile varifocal fixed domes with high image quality day and night and ease-of-installation features at an affordable price. The vandal-resistant cameras are ideal for video surveillance in logistics, retail and other service industries.

AXIS P32 Series offers two outdoor-ready models: AXIS P3214-VE with HDTV 720p, and AXIS P3215-VE with HDTV 1080p. The cameras provide multiple, individually configurable H.264 and Motion JPEG video streams. With a built-in memory card slot, the cameras enable local storage of video.

The cameras' day/night functionality allows for surveillance in daylight as well as in low-light or nighttime conditions. AXIS P32 Series features the advanced precise iris control that involves a P-Iris lens, together with dedicated software in the camera, to set the best iris position

for optimal depth of field, resolution, image contrast and clarity.

The cameras enable efficient installation. The remote zoom and pixel counter capabilities ensure that the camera's angle of view can be optimized for the area to be monitored. The remote focus feature enables convenient focusing over the network, eliminating the need for hands-on fine-tuning at the camera.

The outdoor-ready cameras are IK10-rated, making them resistant to vandalism.



# Technical Specifications - AXIS P32 Series – Outdoor models

<b>Models</b>	AXIS P3214-VE: 1MP/HDTV 720p AXIS P3215-VE: 2MP/HDTV 1080p
<b>Camera</b>	
<b>Image sensor</b>	AXIS P3214-VE: Progressive scan RGB CMOS 1/2.8" AXIS P3215-VE: Progressive scan RGB CMOS 1/2.8"
<b>Lens</b>	Variofocal, Remote focus and zoom, P-Iris control, IR corrected, Megapixel resolution AXIS P3214-VE: 2.8-10 mm: 92°-33° view <sup>a</sup> , F1.6 AXIS P3215-VE: 3-10.5 mm: 95°-34° view <sup>a</sup> , F1.4
<b>Day and night</b>	Automatically removable infrared-cut filter
<b>Minimum illumination</b>	AXIS P3214-VE: Color: 0.3 lux, F1.6, B/W: 0.06 lux, F1.6 AXIS P3215-VE: Color: 0.25 lux, F1.4, B/W: 0.05 lux, F1.4
<b>Shutter time</b>	1/33500 s to 2 s
<b>Camera angle adjustment</b>	Pan ±180°, Tilt 90°, Rotation ±95°
<b>Video</b>	
<b>Video compression</b>	H.264 Main and Baseline Profile (MPEG-4 Part 10/AVC) Motion JPEG
<b>Resolutions</b>	AXIS P3214-VE: 1280x960 (approx. 1.3 MP) to 160x90 AXIS P3215-VE: 1920x1080 (2 MP) to 160x90
<b>Frame rate</b>	25/30 fps with power line frequency 50/60 Hz
<b>Video streaming</b>	Multiple, individually configurable streams in H.264 and Motion JPEG, Controllable frame rate and bandwidth, VBR/CBR H.264
<b>Image settings</b>	Compression, Color, Brightness, Sharpness, Contrast, White balance, Exposure control, Exposure zones, Backlight compensation, Fine tuning of behavior at different light levels, WDR - Dynamic Contrast, Text and image overlay, Privacy mask, Mirroring of images Rotation: 0°, 90°, 180°, 270°, including Corridor Format
<b>Pan/Tilt/Zoom</b>	Digital PTZ
<b>Network</b>	
<b>Security</b>	Password protection, IP address filtering, HTTPS <sup>b</sup> encryption, IEEE 802.1X <sup>b</sup> network access control, Digest authentication, User access log
<b>Supported protocols</b>	IPv4/v6, HTTP, HTTPS <sup>b</sup> , SSL/TLS <sup>b</sup> , QoS Layer 3 DiffServ, FTP, CIFS/SMB, SMTP, Bonjour, UPnP™, SNMP v1/v2c/v3(MIB-II), DNS, DynDNS, NTP, RTSP, RTP, TCP, UDP, IGMP, RTCP, ICMP, DHCP, ARP, SOCKS, SSH
<b>System integration</b>	
<b>Application Programming Interface</b>	Open API for software integration, including VAPIX® and AXIS Camera Application Platform, specifications at <a href="http://www.axis.com">www.axis.com</a> , as well as ONVIF Profile S, specification at <a href="http://www.onvif.org">www.onvif.org</a> AXIS Video Hosting System (AVHS) with One-Click Camera Connection
<b>Intelligent video</b>	Video motion detection, Active tampering alarm, AXIS Camera Application Platform enabling installation of additional applications

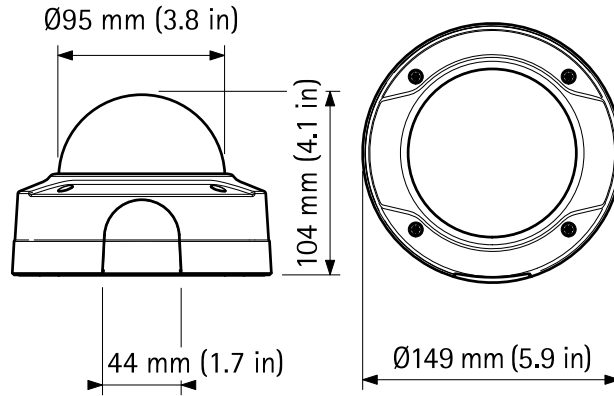
<b>Event triggers</b>	Intelligent video, Edge storage events
<b>Event actions</b>	Overlay text File upload: FTP, HTTP, HTTPS, network share and email Notification: email, HTTP, HTTPS, TCP and SNMP trap Video recording to edge storage Pre- and post-alarm video buffering
<b>Data streaming</b>	Event data
<b>Built-in installation aids</b>	Remote zoom, Remote focus, Pixel counter
<b>General</b>	
<b>Casing</b>	Aluminum inner camera module with encapsulated electronics IP66- and NEMA 4X-rated, IK10 impact-resistant, polycarbonate casing with dehumidifying membrane Color: White NCS S 1002-B. For repainting instructions and impact on warranty, contact your Axis partner
<b>Memory</b>	256 MB RAM, 128 MB Flash
<b>Power</b>	Power over Ethernet IEEE 802.3af/802.3at Type 1 Class 3, max. 8.4 W, typical 3.5 W
<b>Connectors</b>	RJ45 10BASE-T/100BASE-TX PoE
<b>Edge storage</b>	microSD/microSDHC/microSDXC slot supporting memory card up to 64 GB (card not included) Support for recording to network share (network-attached storage or fileserver)
<b>Operating conditions</b>	-30°C to 50°C (-22°F to 122°F) Humidity 10-100% RH (condensing)
<b>Approvals</b>	EN 55022 Class B, EN 61000-6-1, EN 61000-6-2, EN 55024, EN 50121-4, IEC 62236-4, FCC Part 15 Subpart B Class A and B, ICES-003 Class B, VCCI Class B, C-tick AS/NZS CISPR 22, KCC KN-22 Class B, KN-24, IEC/EN/UL 60950-22, IEC 60068-2-1, IEC 60068-2-2, IEC 60068-2-6 (Vibration) Class 4M4, IEC 60068-2-27 (shock) Class 4M4, IEC 60068-2-14, IEC 60068-2-78 Class 4K3, IEC/EN 60529 IP66, NEMA 250 Type 4X, IEC/EN 62262 IK10
<b>Weight</b>	790 g (1.7 lb)
<b>Included accessories</b>	Installation Guide, Installation and Management Software CD, Windows decoder 1-user license, Mounting bracket, Cable gasket, Resistorx T20 L-key, Weather shield, Drill hole template
<b>Video management software</b>	AXIS Camera Companion (included), AXIS Camera Station and video management software from Axis' Application Development Partners (not included). For more information, see <a href="http://www.axis.com/products/video/software">www.axis.com/products/video/software</a>
<b>Warranty</b>	Axis 3-year warranty and AXIS Extended Warranty option, see <a href="http://www.axis.com/warranty">www.axis.com/warranty</a>

a. Horizontal angle of view

b. This product includes software developed by the OpenSSL Project for use in the OpenSSL Toolkit. ([www.openssl.org](http://www.openssl.org)), and cryptographic software written by Eric Young ([ey@cryptsoft.com](mailto:ey@cryptsoft.com)).

More information is available at [www.axis.com](http://www.axis.com)

## Dimensions



## Optional accessories

1. *AXIS Conduit Bracket A*
2. *Axis Conduit Adapters*
3. *AXIS P32-VE Pendant Kit including Weather Shield*
4. *AXIS T91 Mounts*
5. *AXIS T98A17-VE Surveillance Cabinet*
6. *AXIS T90B Illuminators*



# About Axis Communications

Axis offers intelligent security solutions that enable a smarter, safer world. As the global market leader in network video, Axis is driving the industry by continually launching innovative network products based on an open platform – delivering high value to customers through a global partner network. Axis has long-term relationships with partners and provides them with knowledge and ground-breaking network products in existing and new markets.

Axis has more than 1,600 dedicated employees in more than 40 countries around the world, supported by a network of over 65,000 partners across 179 countries. Founded in 1984, Axis is a Sweden-based company listed on NASDAQ OMX Stockholm under the ticker AXIS.

For more information about Axis, please visit our website [www.axis.com](http://www.axis.com).